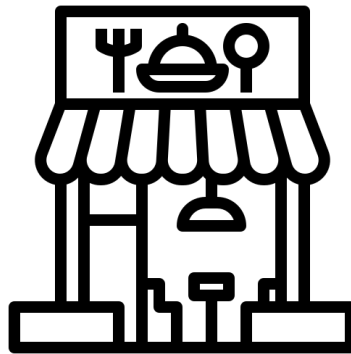


COVID Restaurant Guide



Covid Brigrade Project



Rati opta volore, idenihit volenim poribeat ut ut labor
at porero quam et re repre, consequae esciae. Itam
aboris nonsequos voloribus expediae eosam aut qui
del id molorehento cum rerfere eossinulla que volo
omniend enihicient mo dit qui consediciis esti quia
duciam que renimaximpor sequaesecus doluptum
facculpa verferumqui anisquodia et vernamus, verum
dite latior maios es utecta verum doluptate volor
atibearunt exceperis eate nos essecat volenim invelit
a anis alitio quamet pre cupvist inumque veles nisto

Intro:
opportunity, goal, + names

Table of Contents

Criteria

Concepts

Concept 1

Concept 2

Concept 3

Concept 4

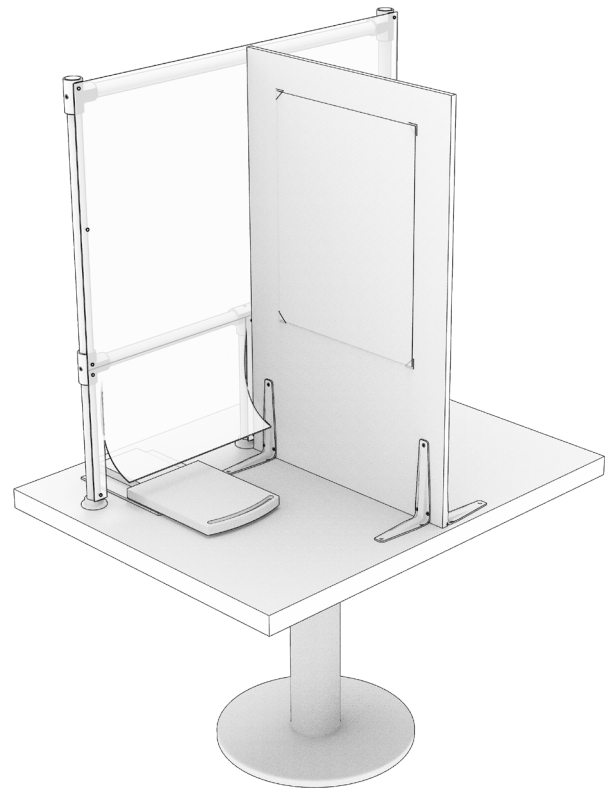
Concept 5

Concept 6

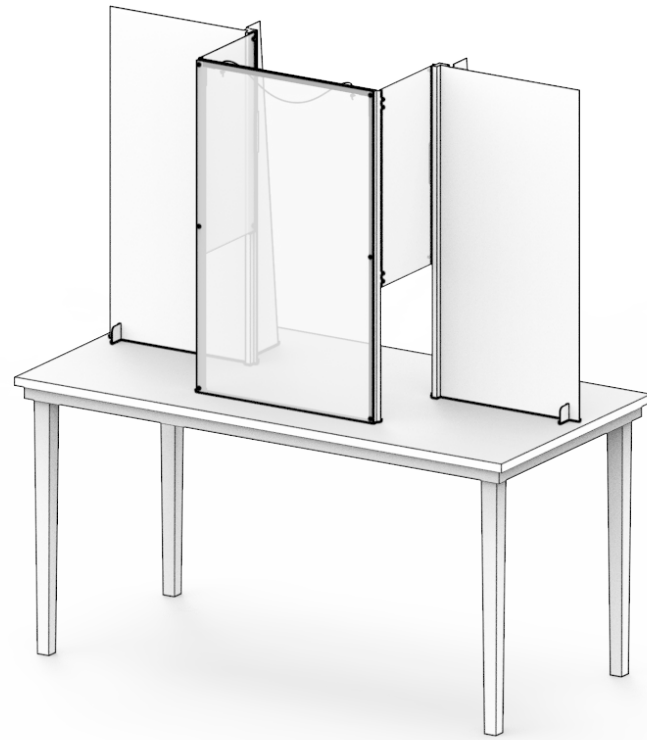
Detail Concept
tool list

Criteria Page

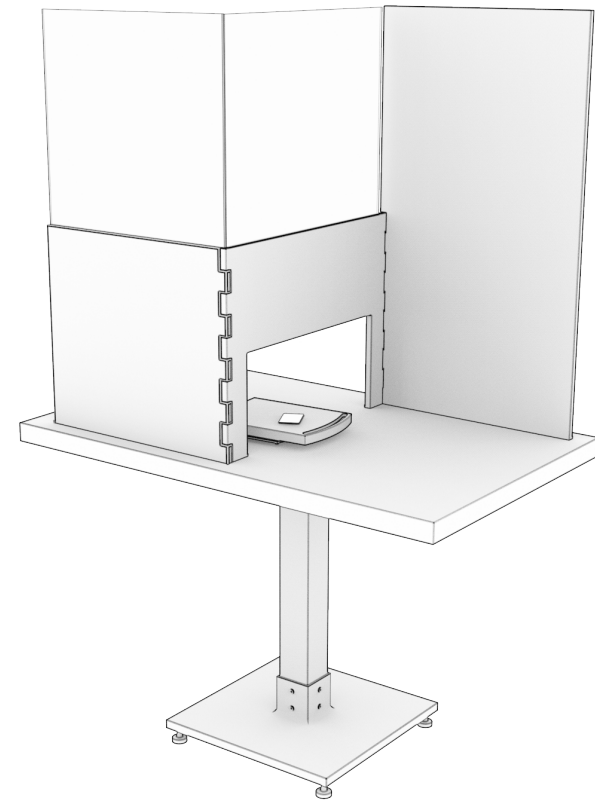
1



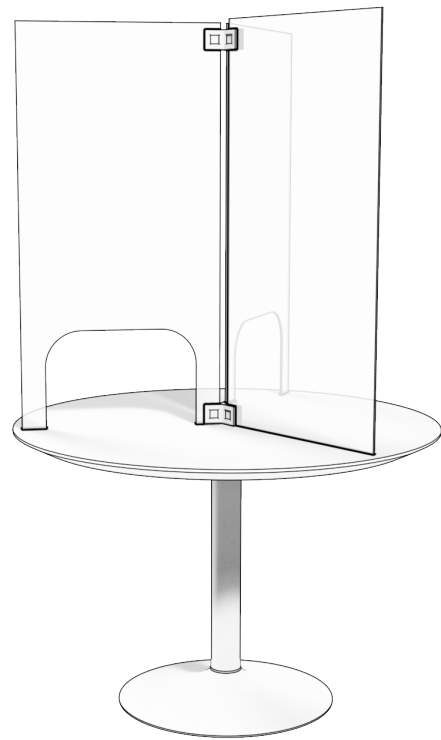
2



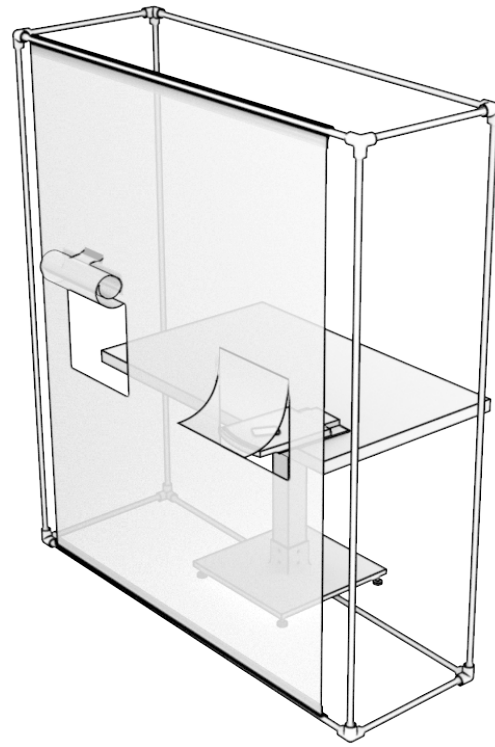
3



4



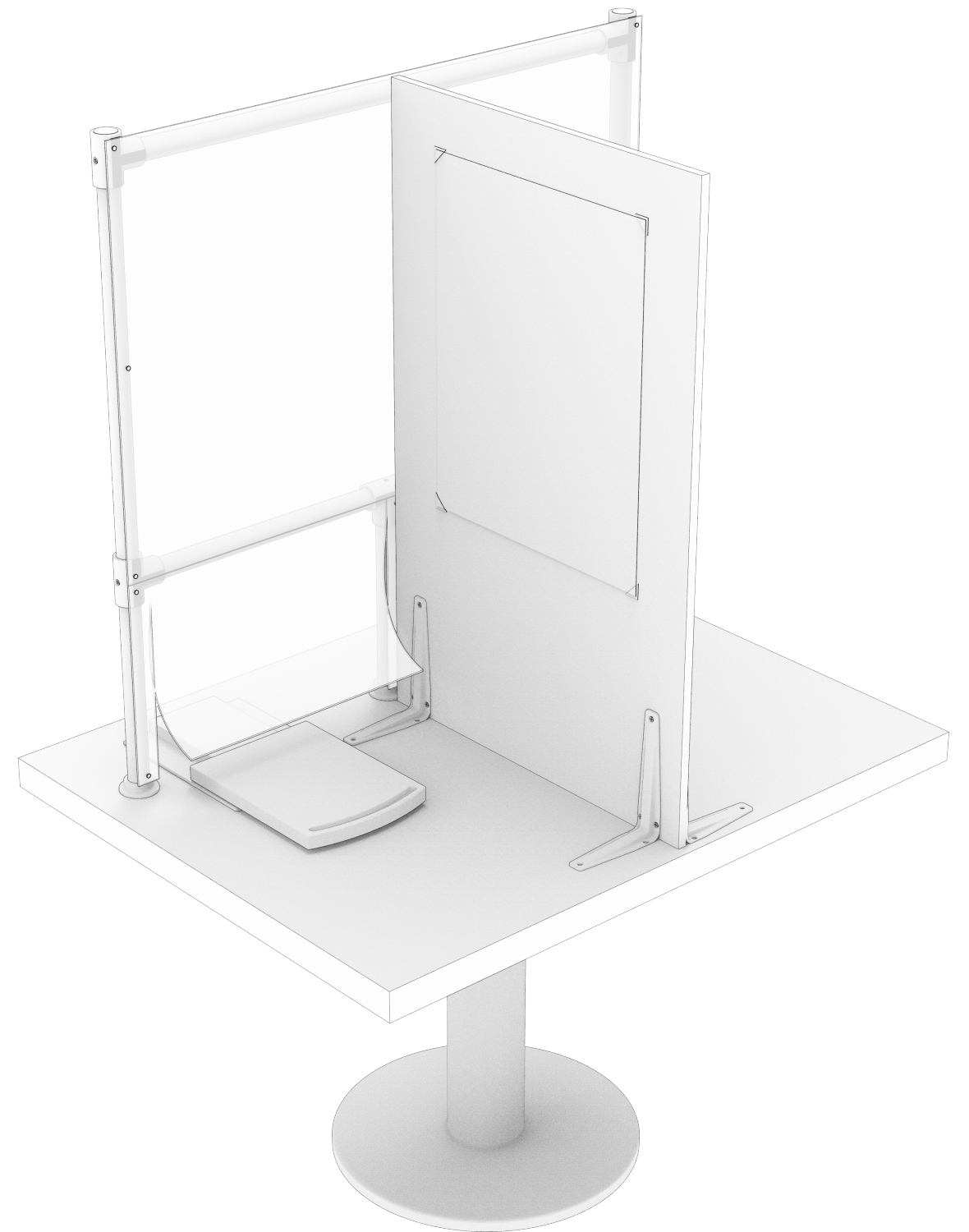
5



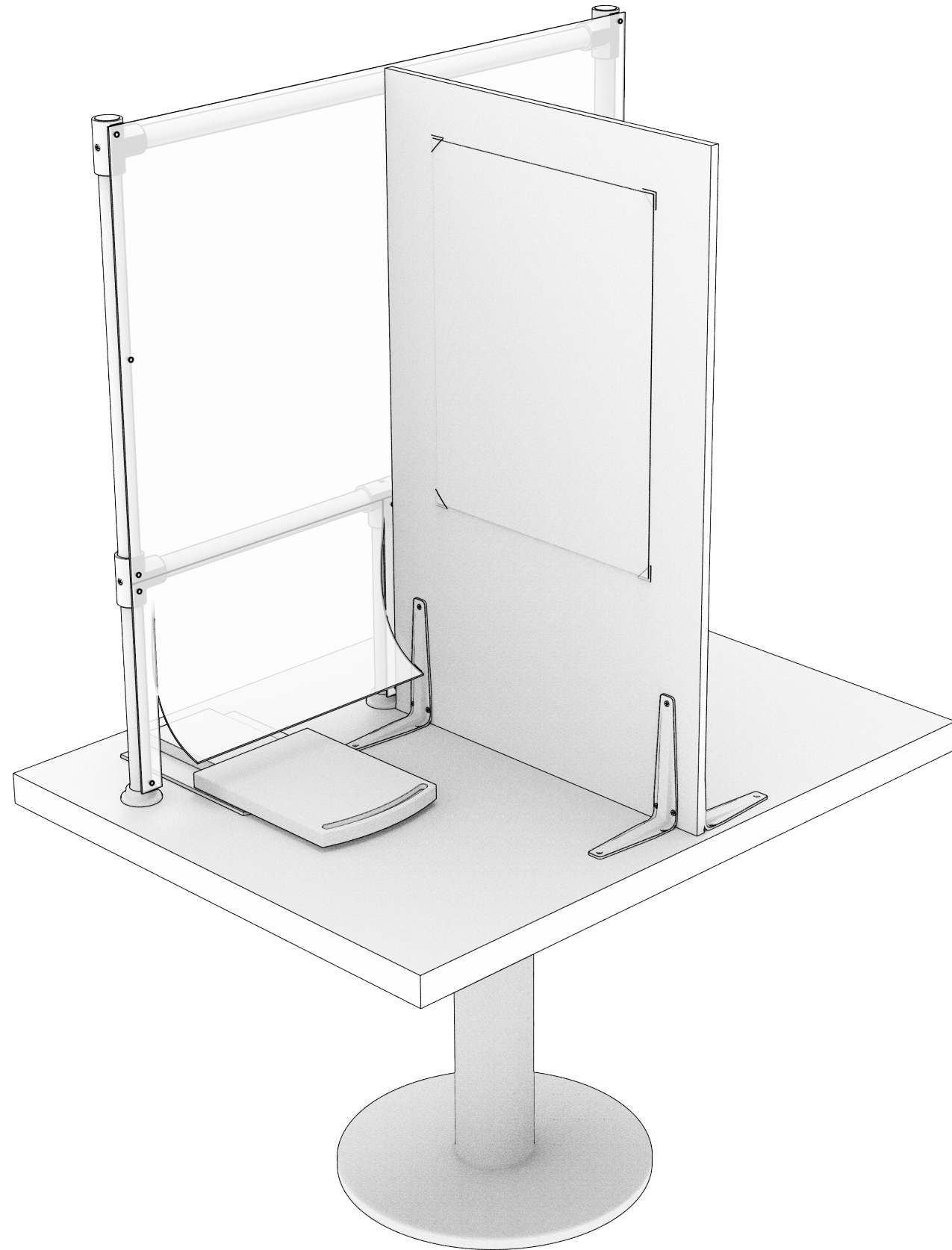
6



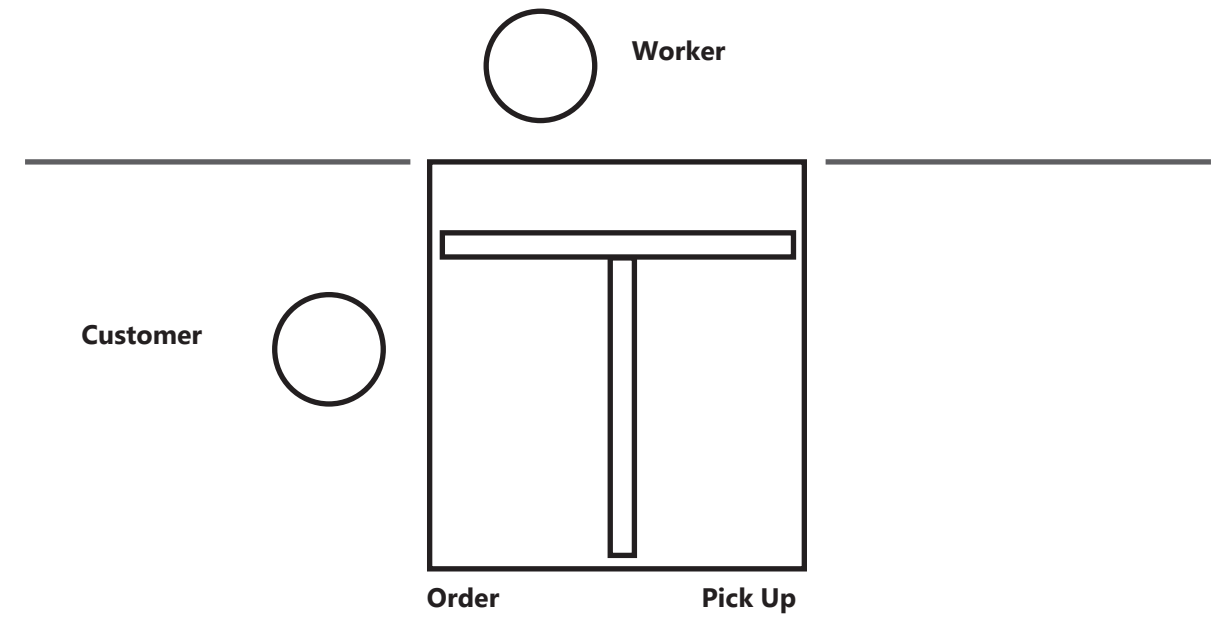
Concept 1:



Concept 1:



Top view floor plan:



Made for restaurants with one door open. Place onto square table to divide orders on left side with pickup line to the right. Attach menu to the divider for customers to take orders from.



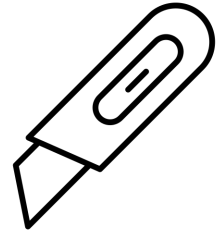
Disclaimer/ safety information

Concept 1:

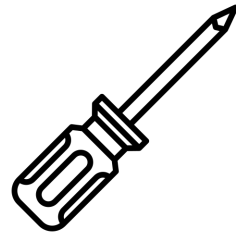
(Material & Tool List?)

What you'll need:

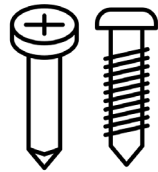
[Link to resource page*](#)



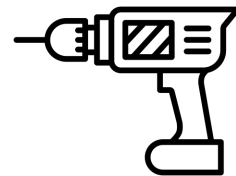
hammer



Placeholder text



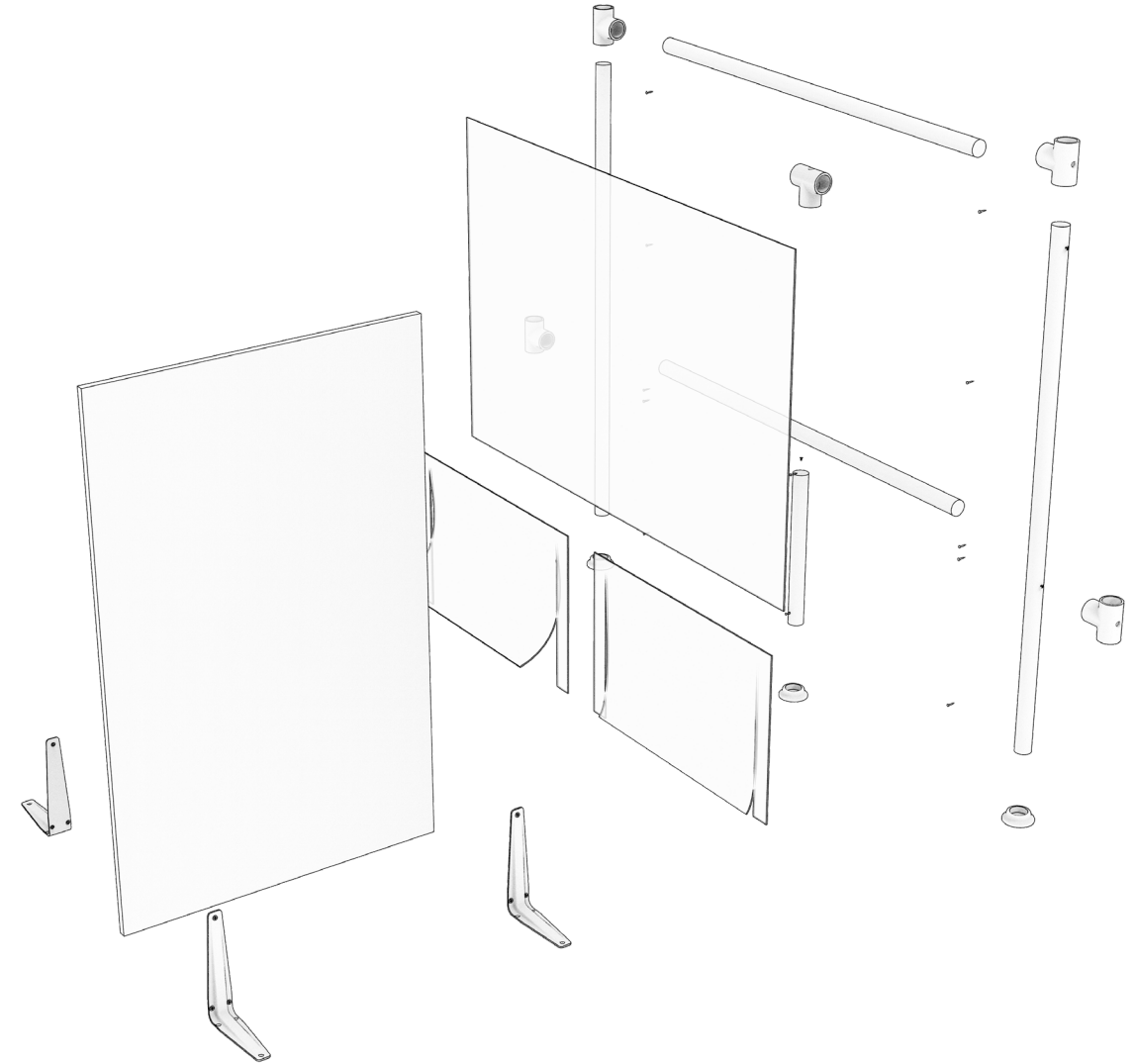
Placeholder text



Placeholder text

Cost Break Down:

How it's attached:



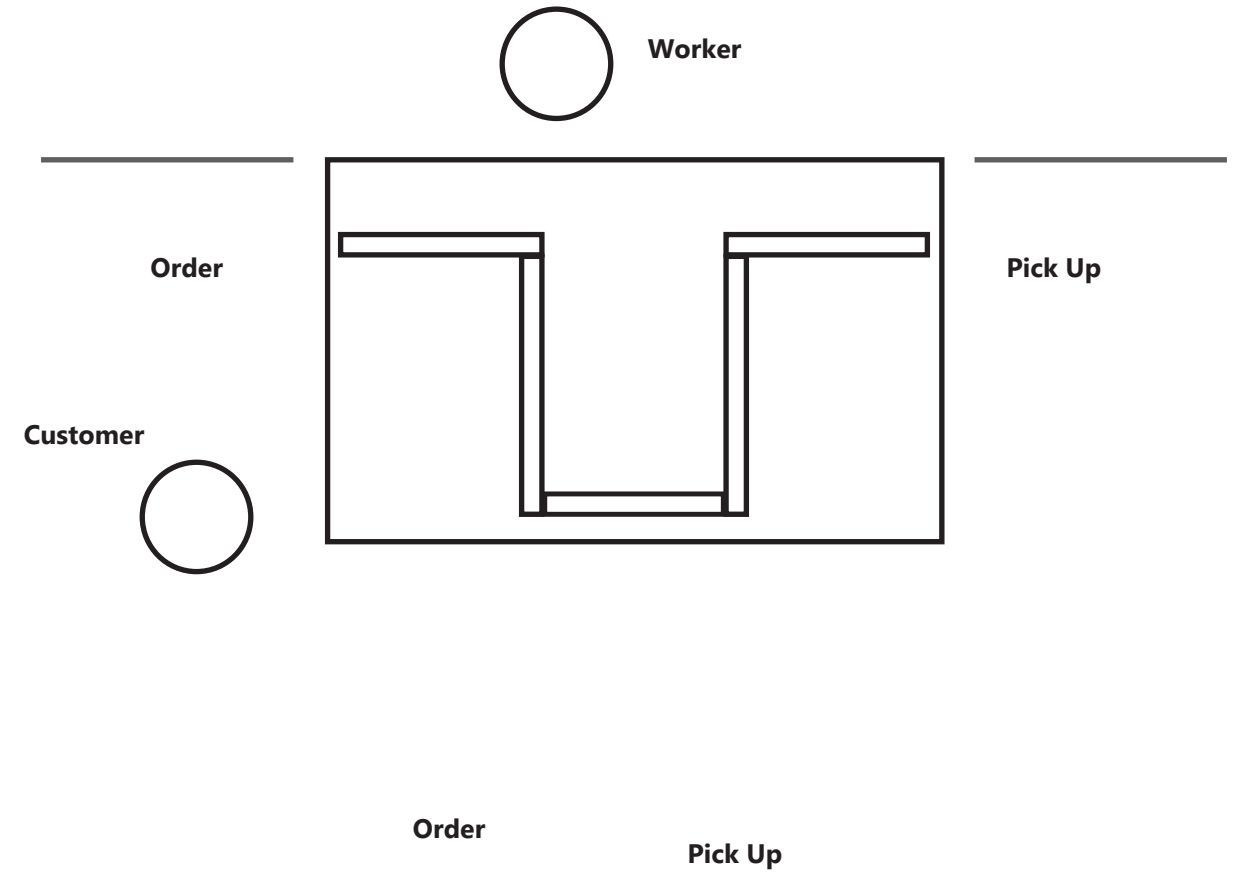
Concept 2



Concept 2:



Top view floor plan:



Diae vere con etur ratem ipsam, nulpā cum dis eossum
nostia vendita turios nossed et invenditas eosant lab
ipit lis de volupture omnis ea quiae delesci



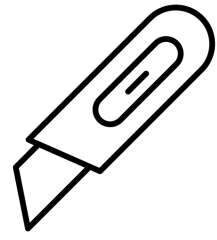
Disclaimer/ safety information

Concept 2:

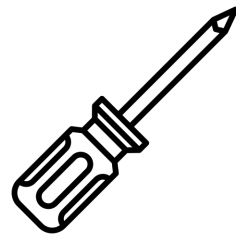
(Material & Tool List?)

What you'll need:

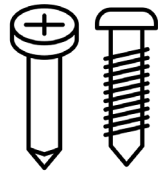
[Link to resource page*](#)



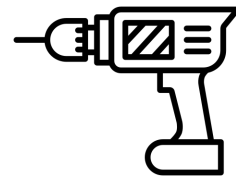
hammer



Placeholder text



Placeholder text

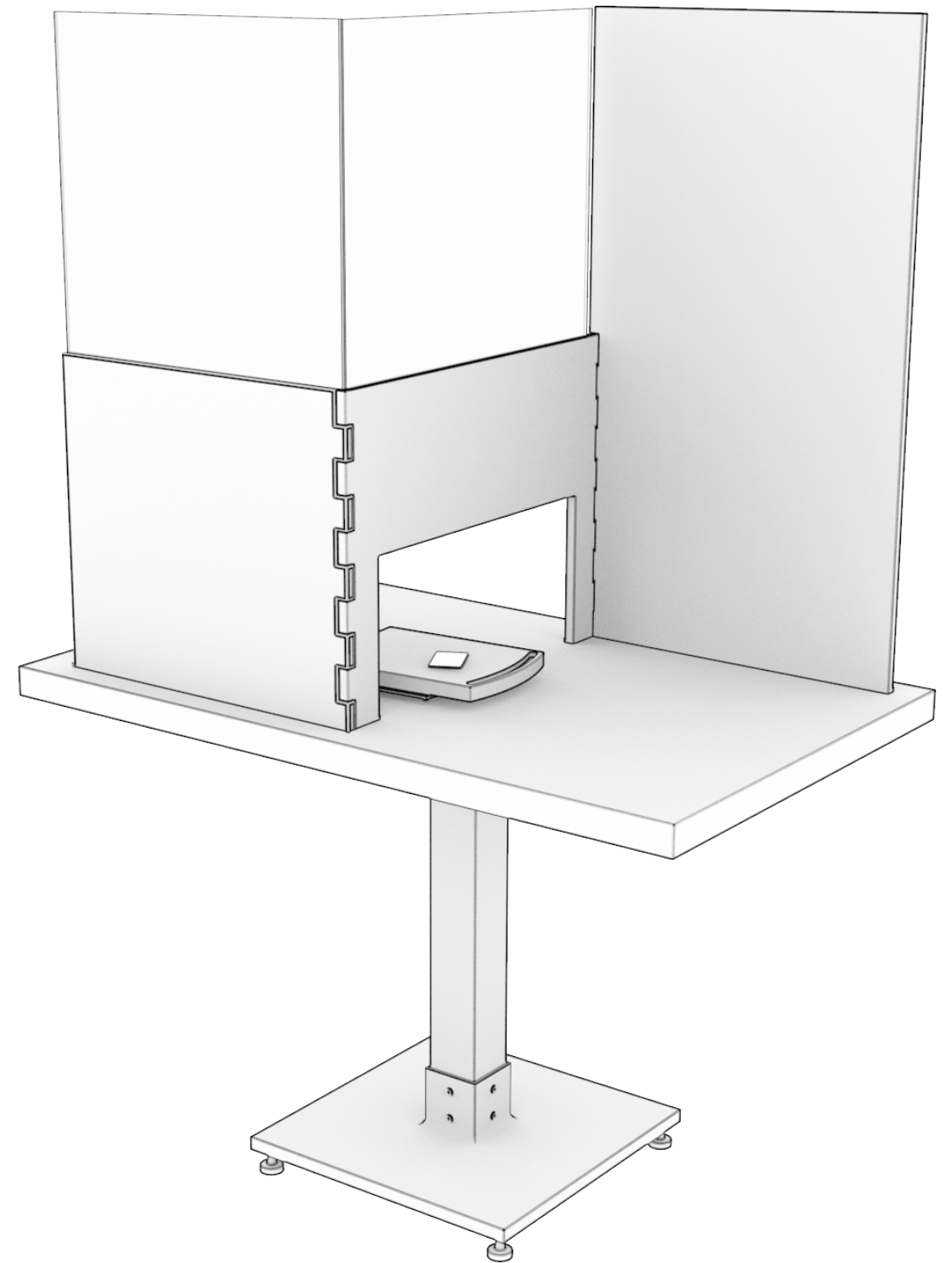


Placeholder text

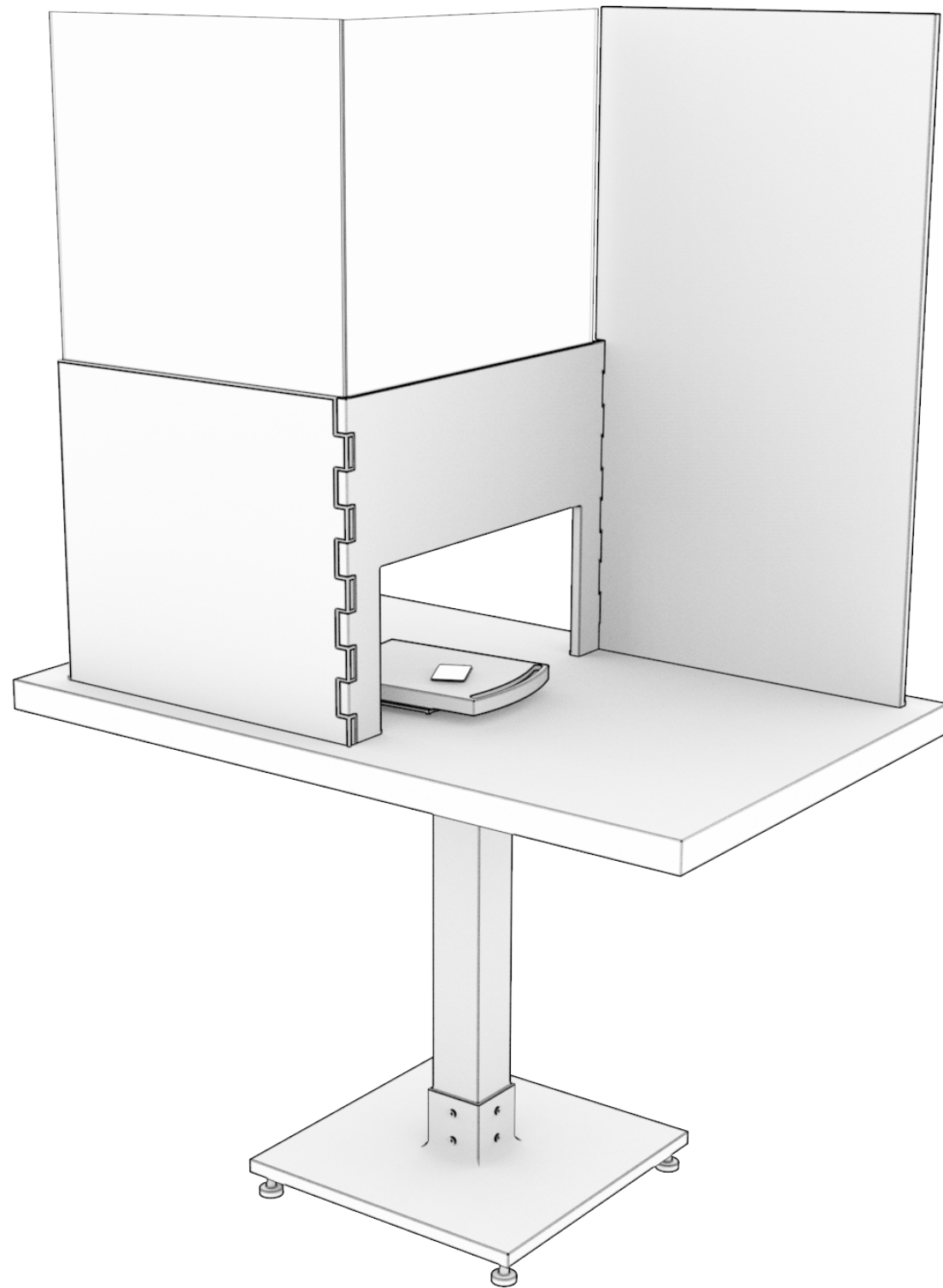
How it's attached:

Cost Break Down:

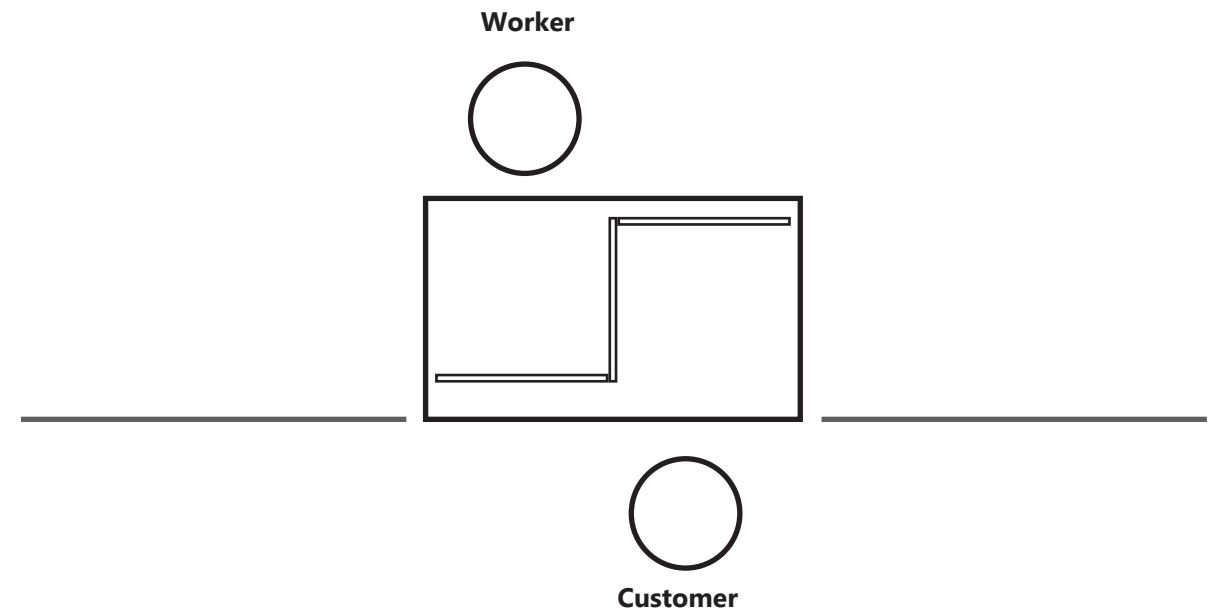
Concept 3



Concept 3:



Top view floor plan:



Diae vere con etur ratem ipsam, nulpa cum dis eossum
nostia vendita turios nossed et invenditas eosant lab
ipit lis de volupture omnis ea quiae delesci



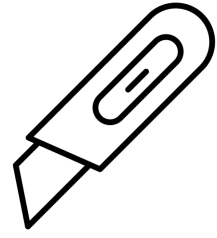
Disclaimer/ safety information

Concept 3:

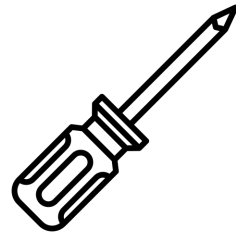
(Material & Tool List?)

What you'll need:

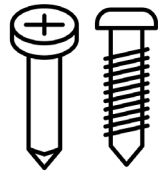
[Link to resource page*](#)



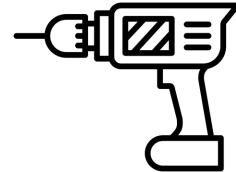
hammer



Placeholder text



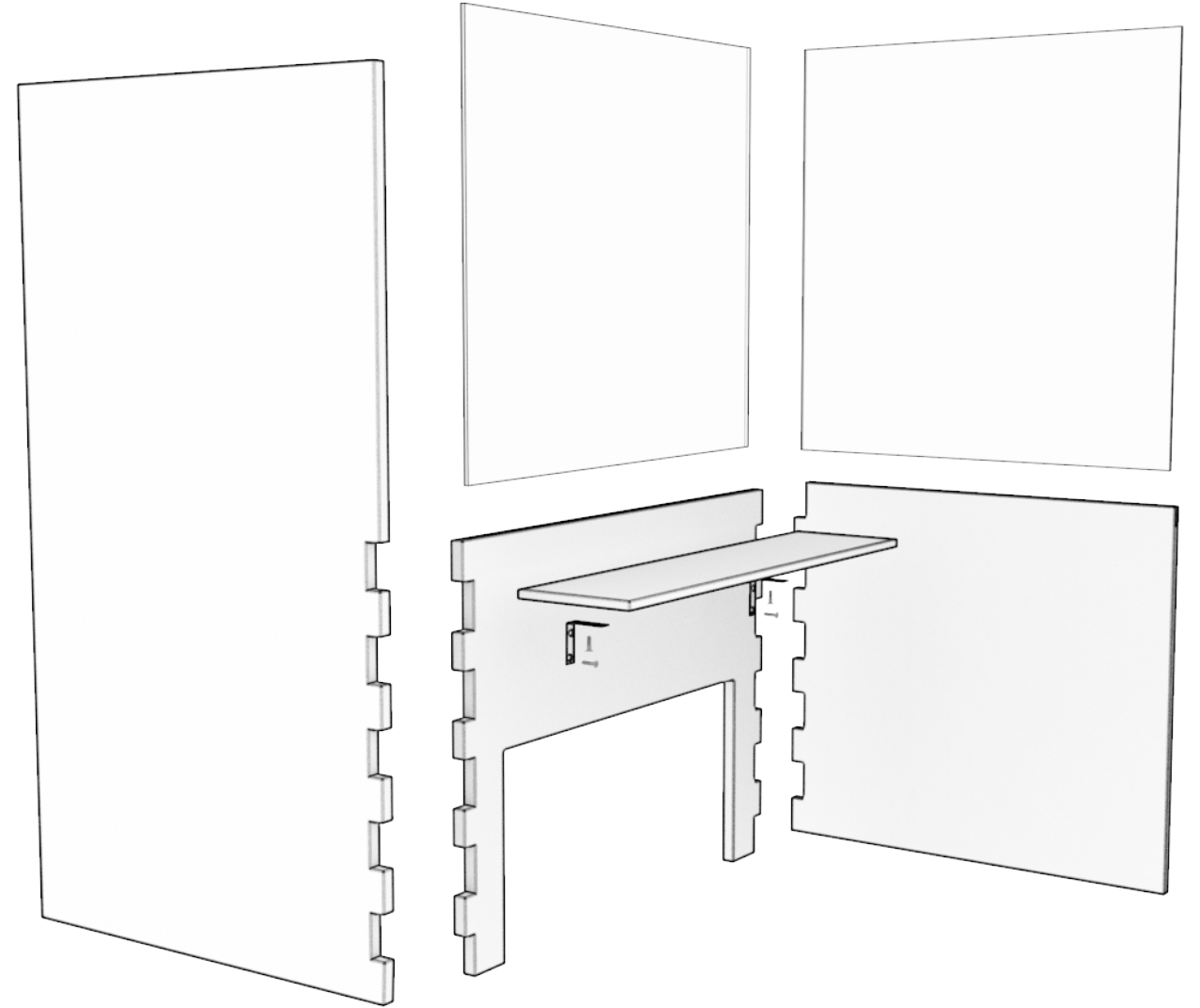
Placeholder text



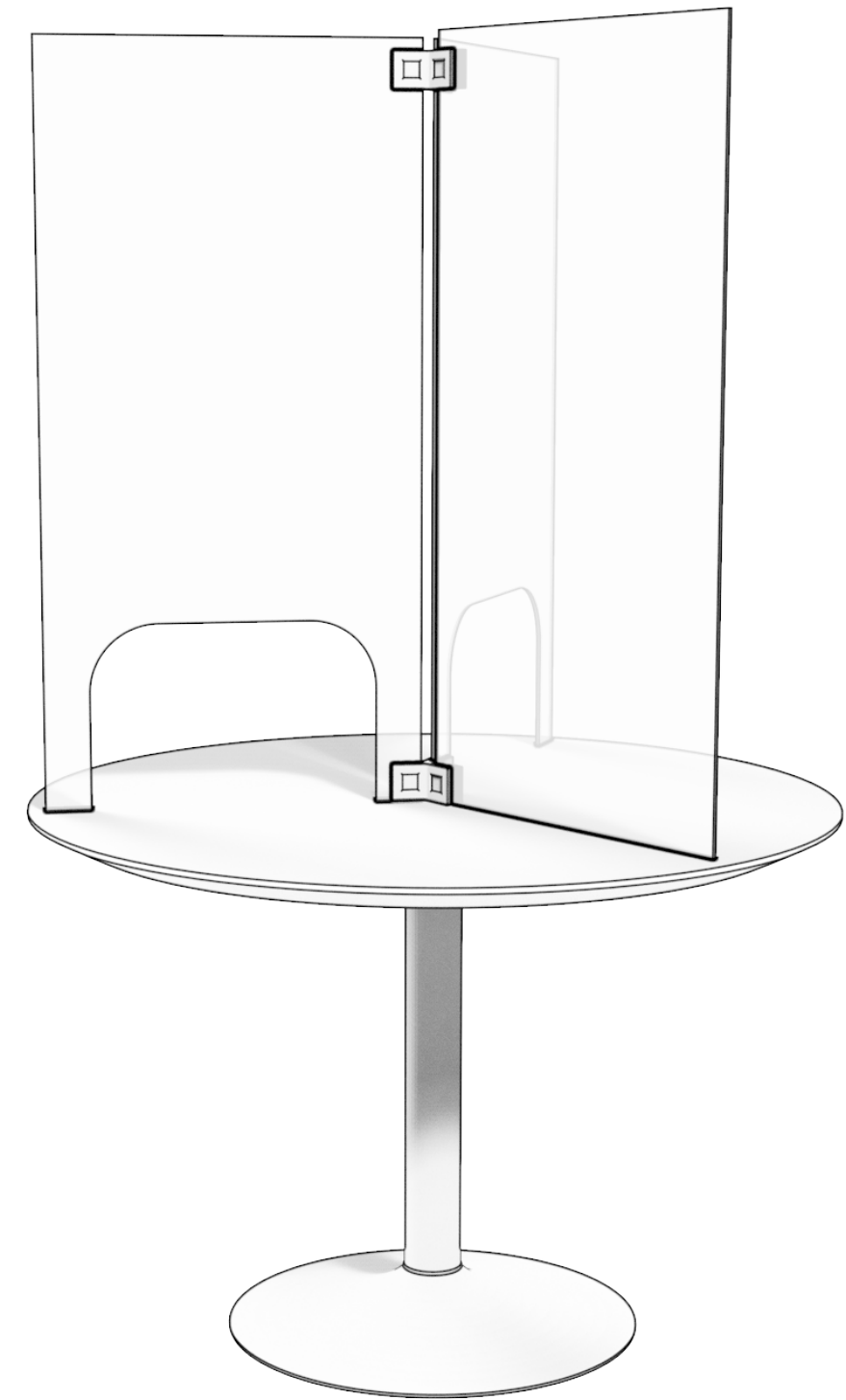
Placeholder text

Cost Break Down:

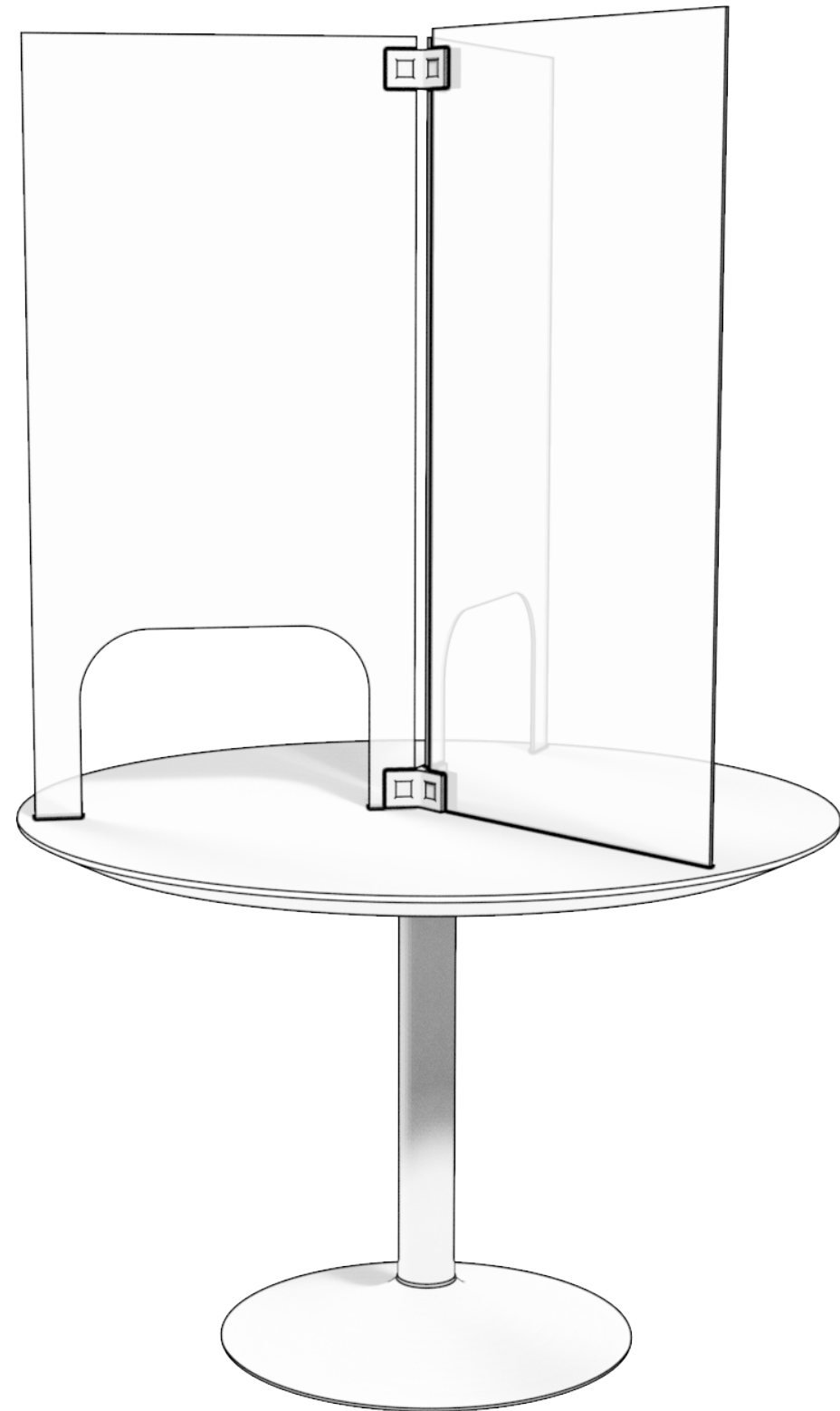
How it's attached:



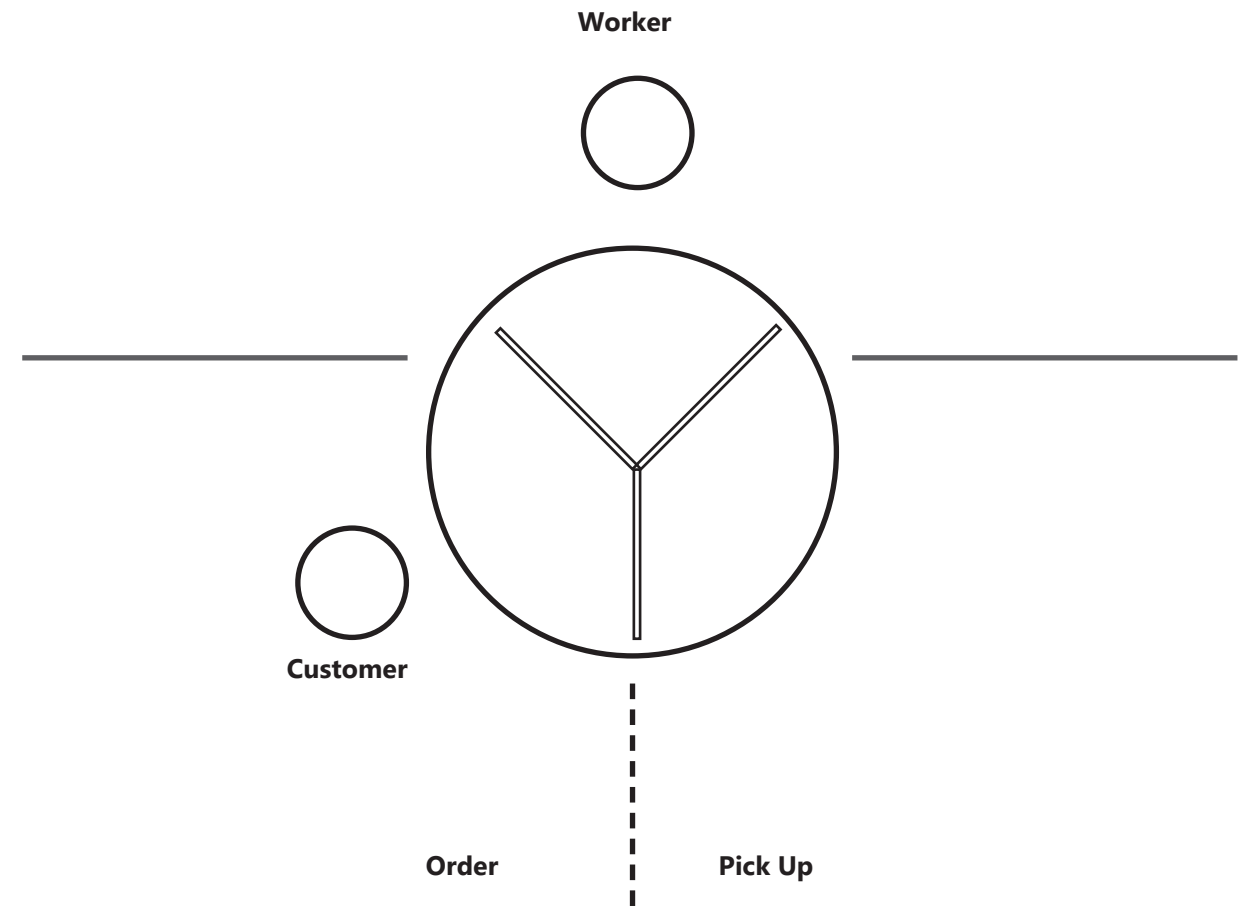
Concept 4



Concept 4:



Top view floor plan:



Diae vere con etur ratem ipsam, nulpa cum dis eossum
nostia vendita turios nossed et invenditas eosant lab
ipit lis de volupture omnis ea quiae delesci



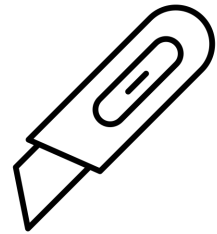
Disclaimer/ safety information

Concept 4:

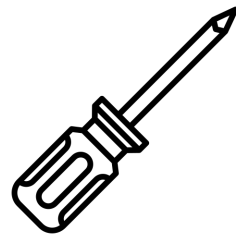
(Material & Tool List?)

What you'll need:

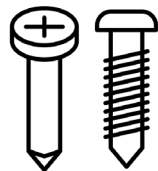
[Link to resource page*](#)



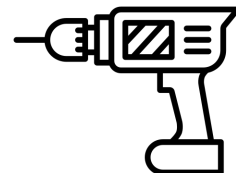
hammer



Placeholder text



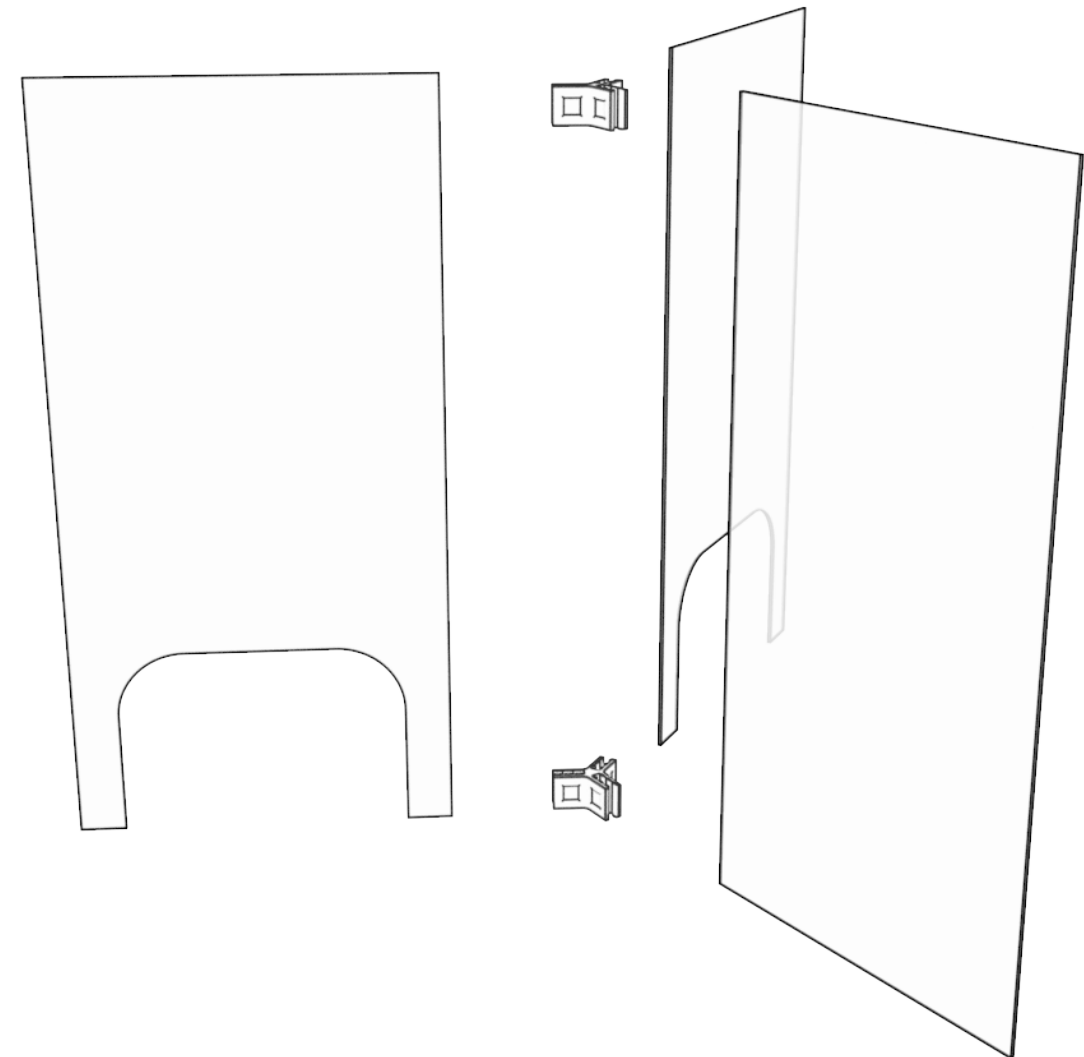
Placeholder text



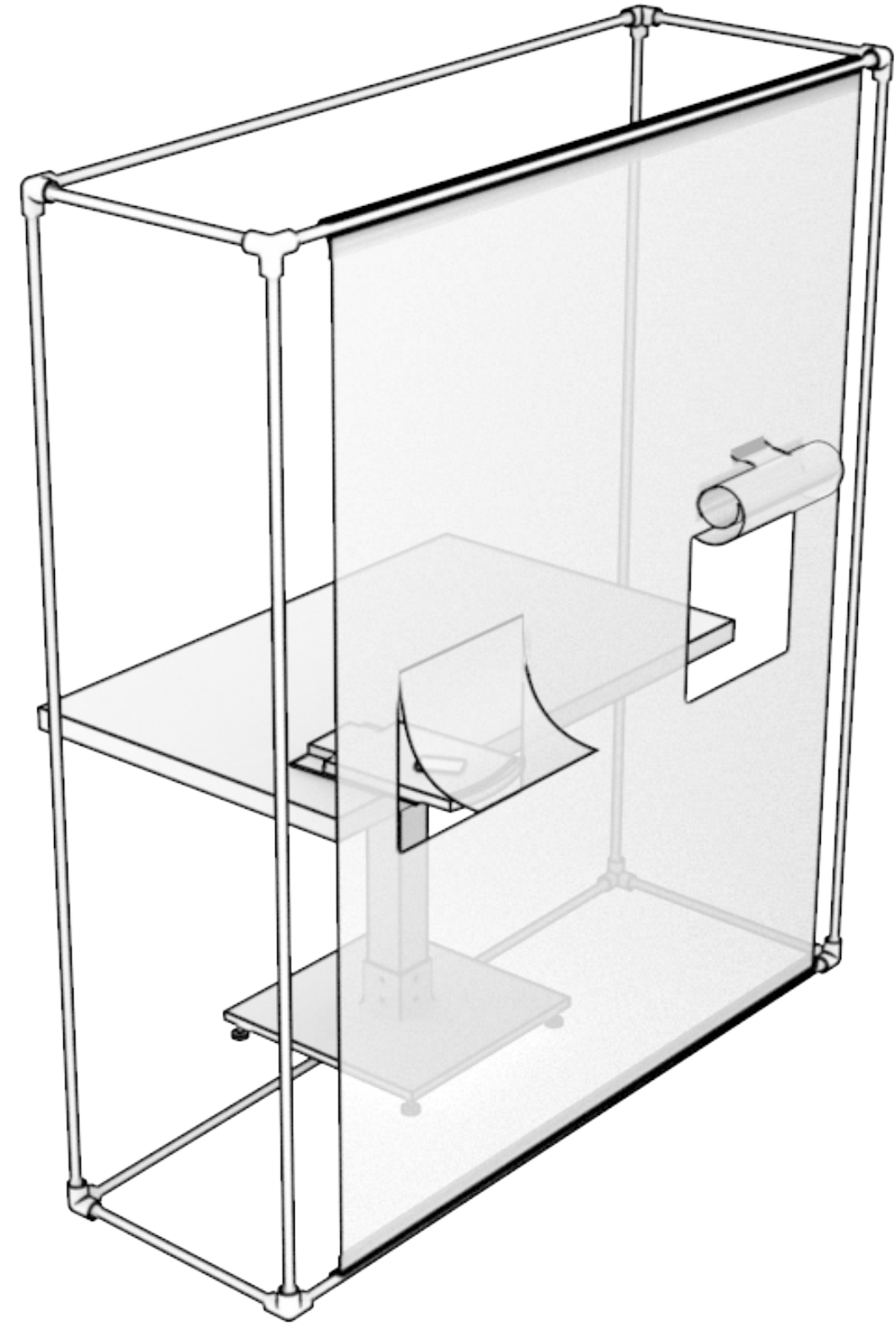
Placeholder text

Cost Break Down:

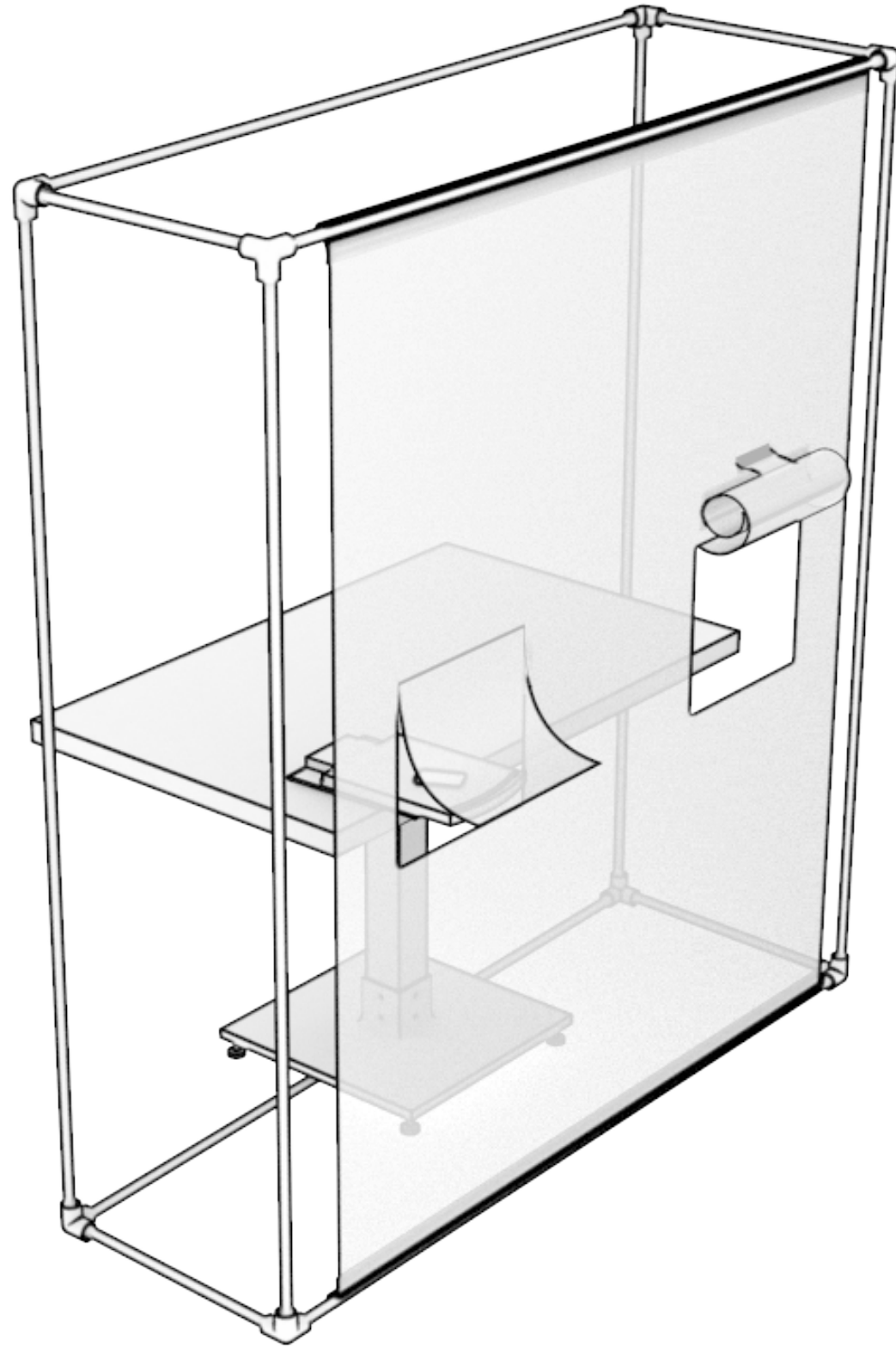
How it's attached:



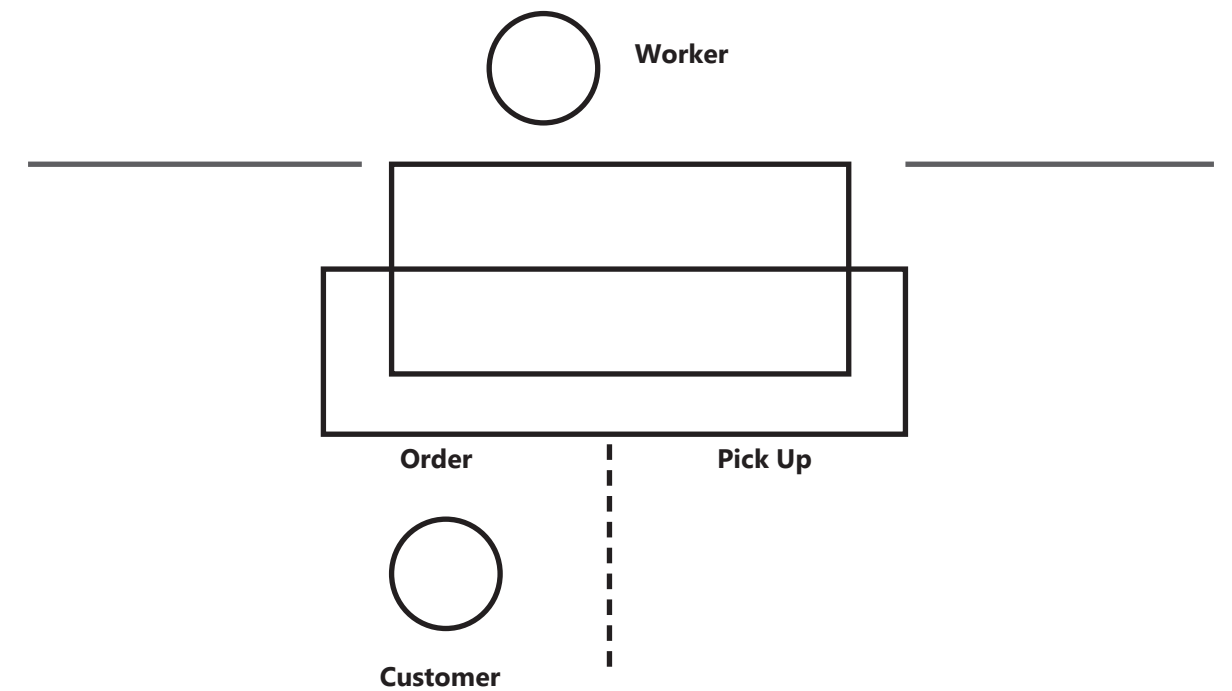
Concept 5



Concept 5:



Top view floor plan:



Diae vere con etur ratem ipsam, nulpa cum dis eossum
nostia vendita turios nossed et invenditas eosant lab
ipit lis de volupture omnis ea quiae delesci

TIPS:



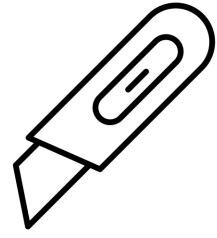
Disclaimer/ safety information

Concept 5:

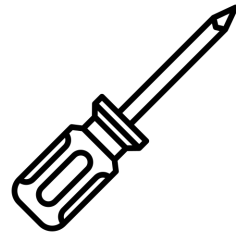
(Material & Tool List?)

What you'll need:

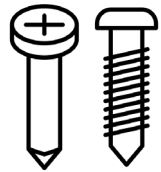
[Link to resource page*](#)



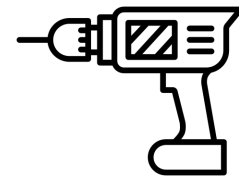
hammer



Placeholder text



Placeholder text



Placeholder text

Cost Break Down:

How it's attached:



Concept 6

Top view floor plan:

Diae vere con etur ratem ipsam, nulpa cum dis eossum
nostia vendita turios nossed et invenditas eosant lab
ipit lis de volupture omnis ea quiae delesci



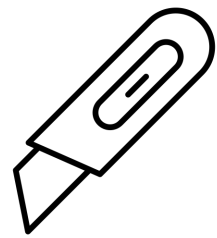
Disclaimer/ safety information

Concept 6:

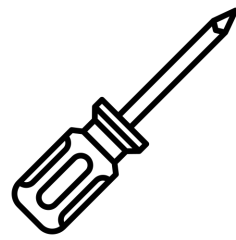
(Material & Tool List?)

What you'll need:

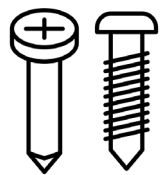
[Link to resource page*](#)



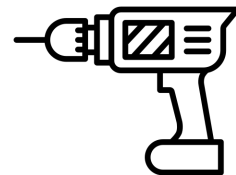
hammer



Placeholder text



Placeholder text



Placeholder text

Cost Break Down:

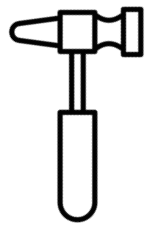
**Concept 2
Details**



Building Check List

What you'll need:

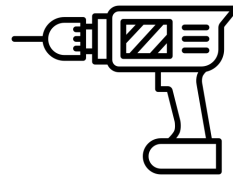
These are the tools that are required for assembly



Hammer



Phillips
Screwdriver



Drill

What's included:

These are the parts that are included within the kit

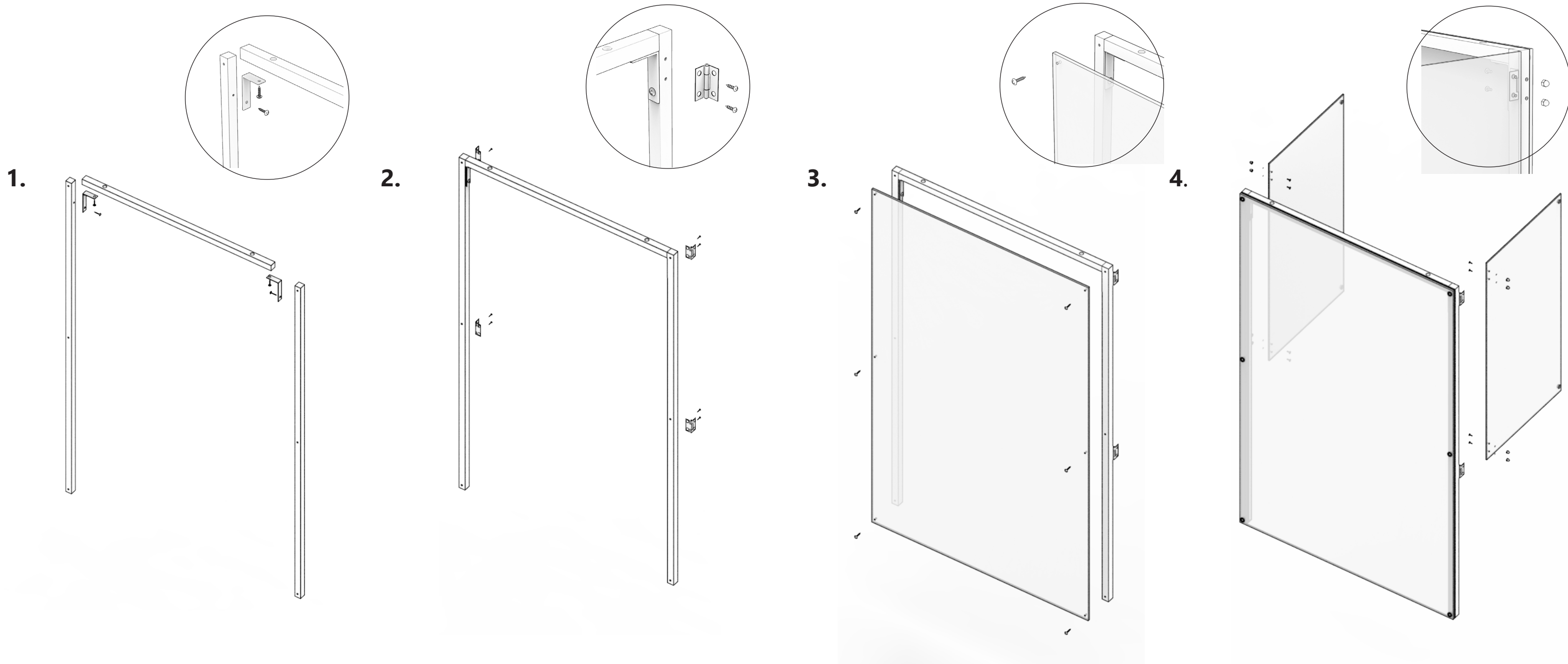


Dowel



Concept 2:

Steps To Assembling Front Part:

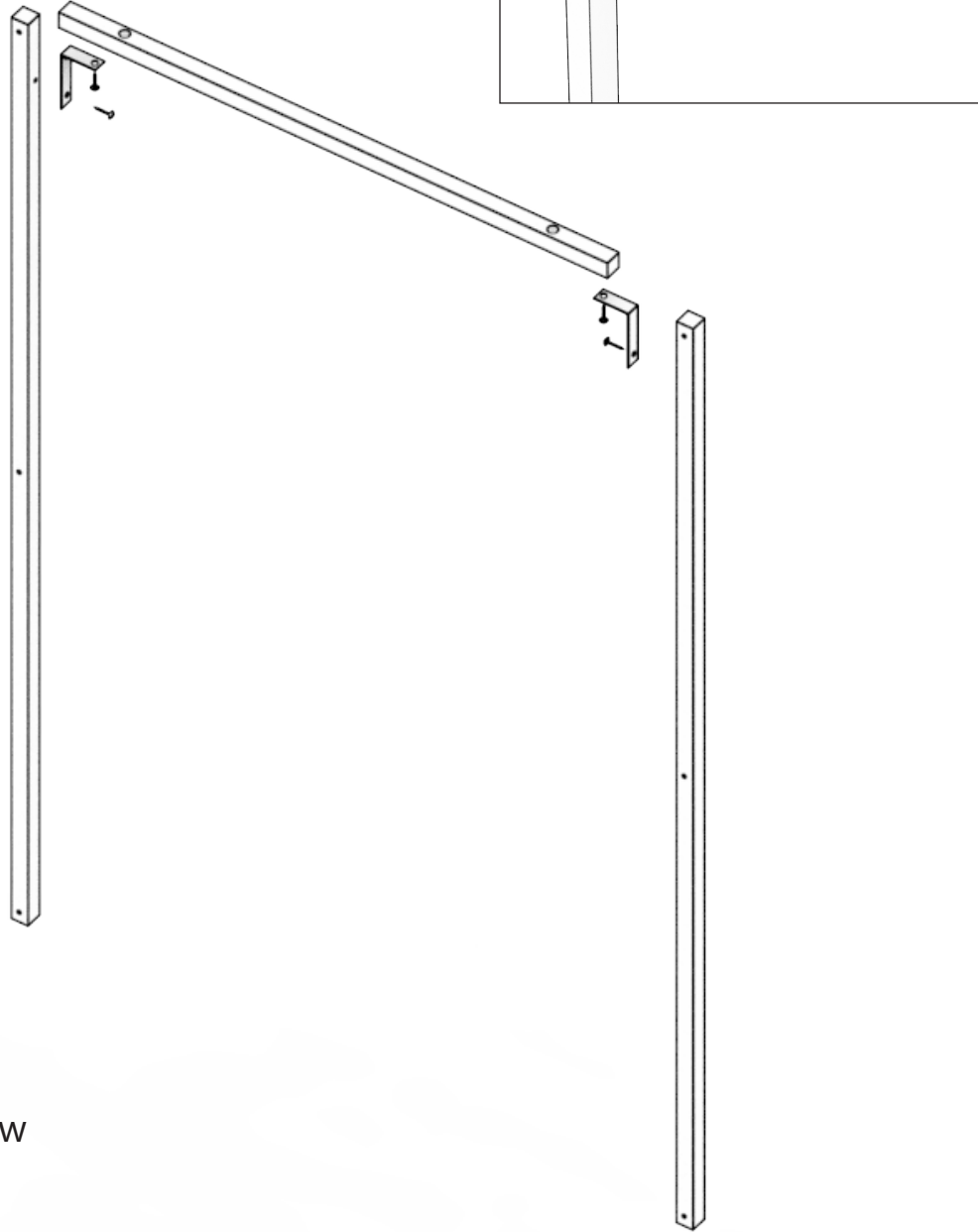


*Deciding which instruction is better, 4 on page or 2.

Concept 2:

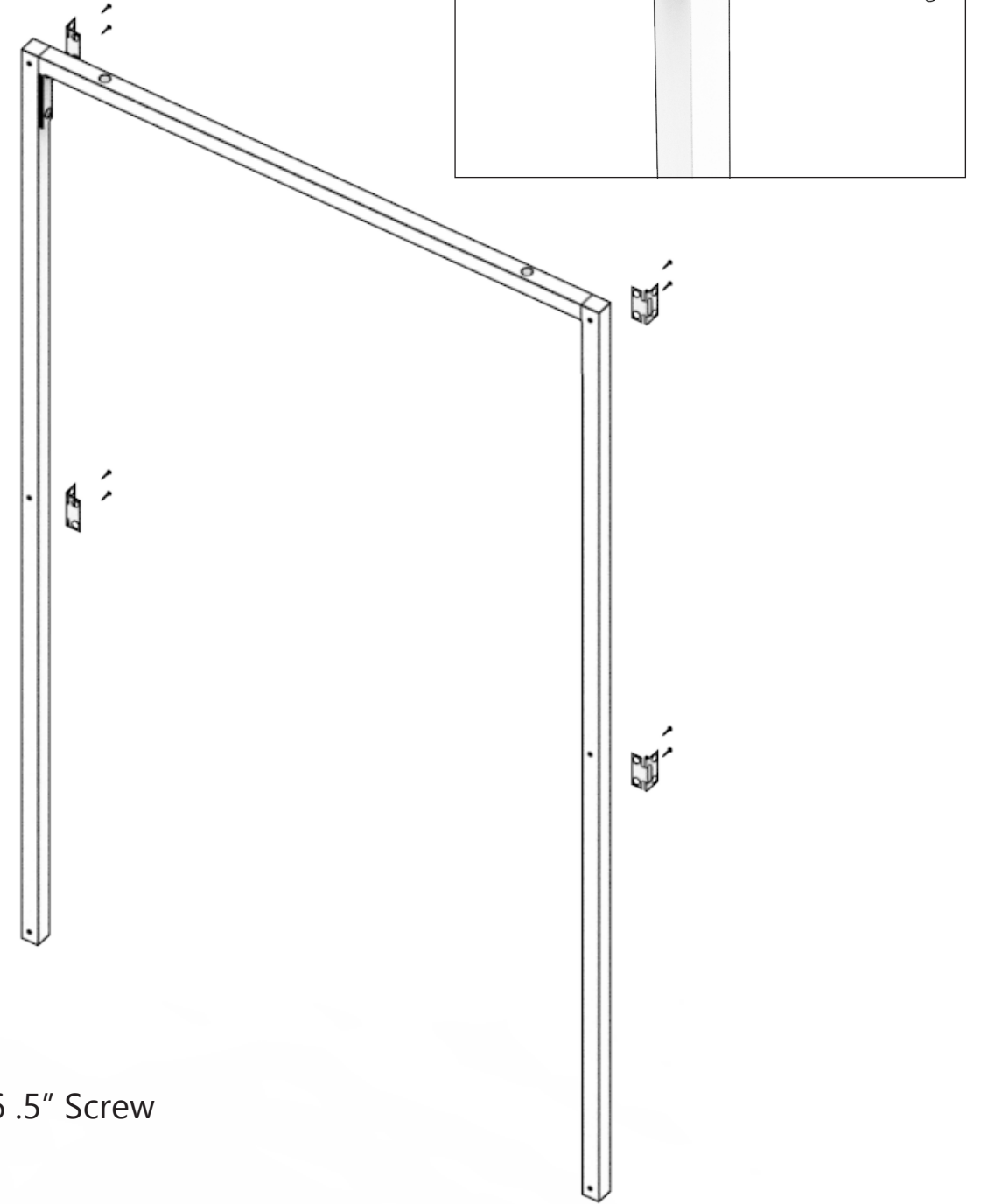
Steps To Assembling Front Part:

1.



2x #6 .5" Screw

2.

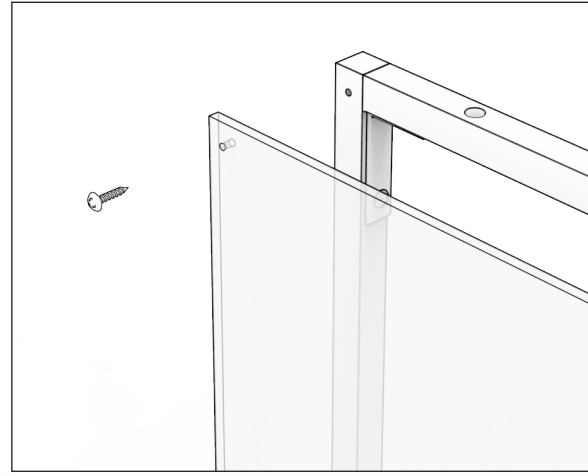
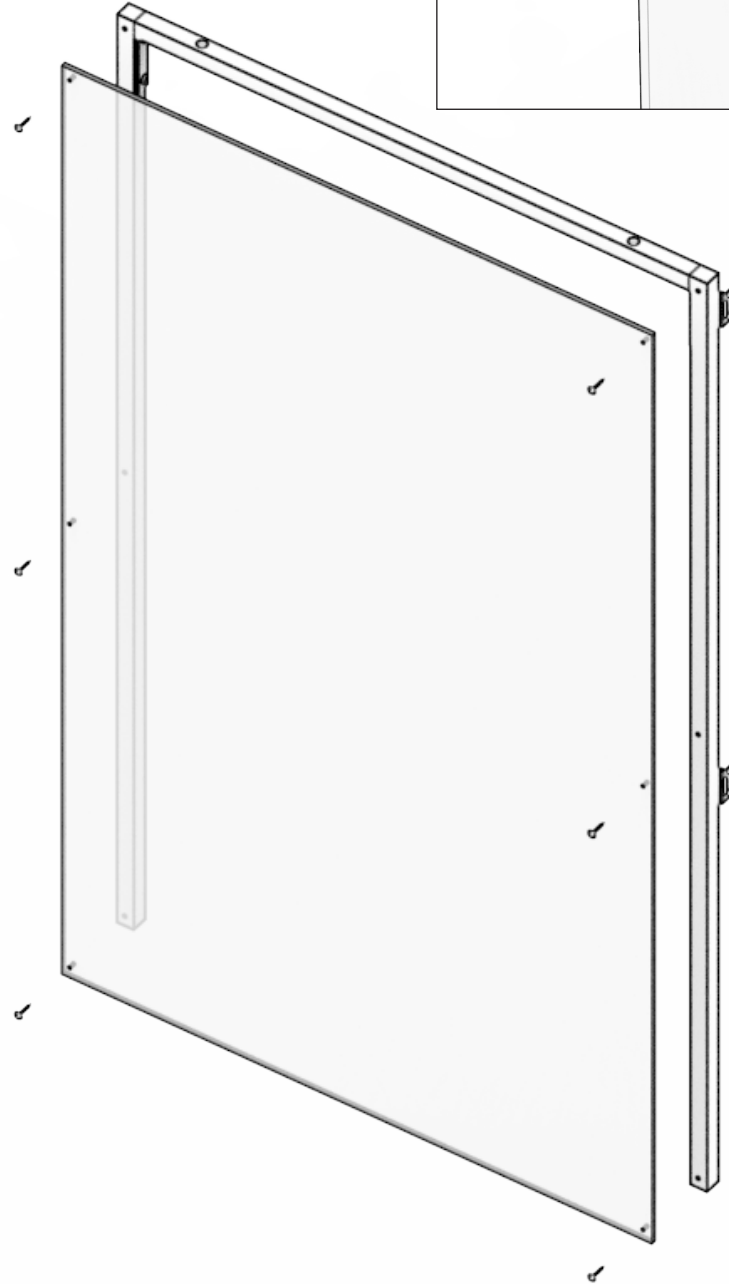


2x #6 .5" Screw

Concept 2:

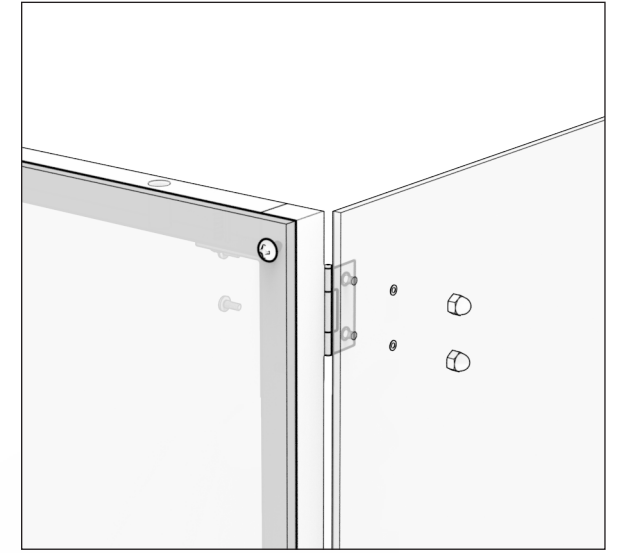
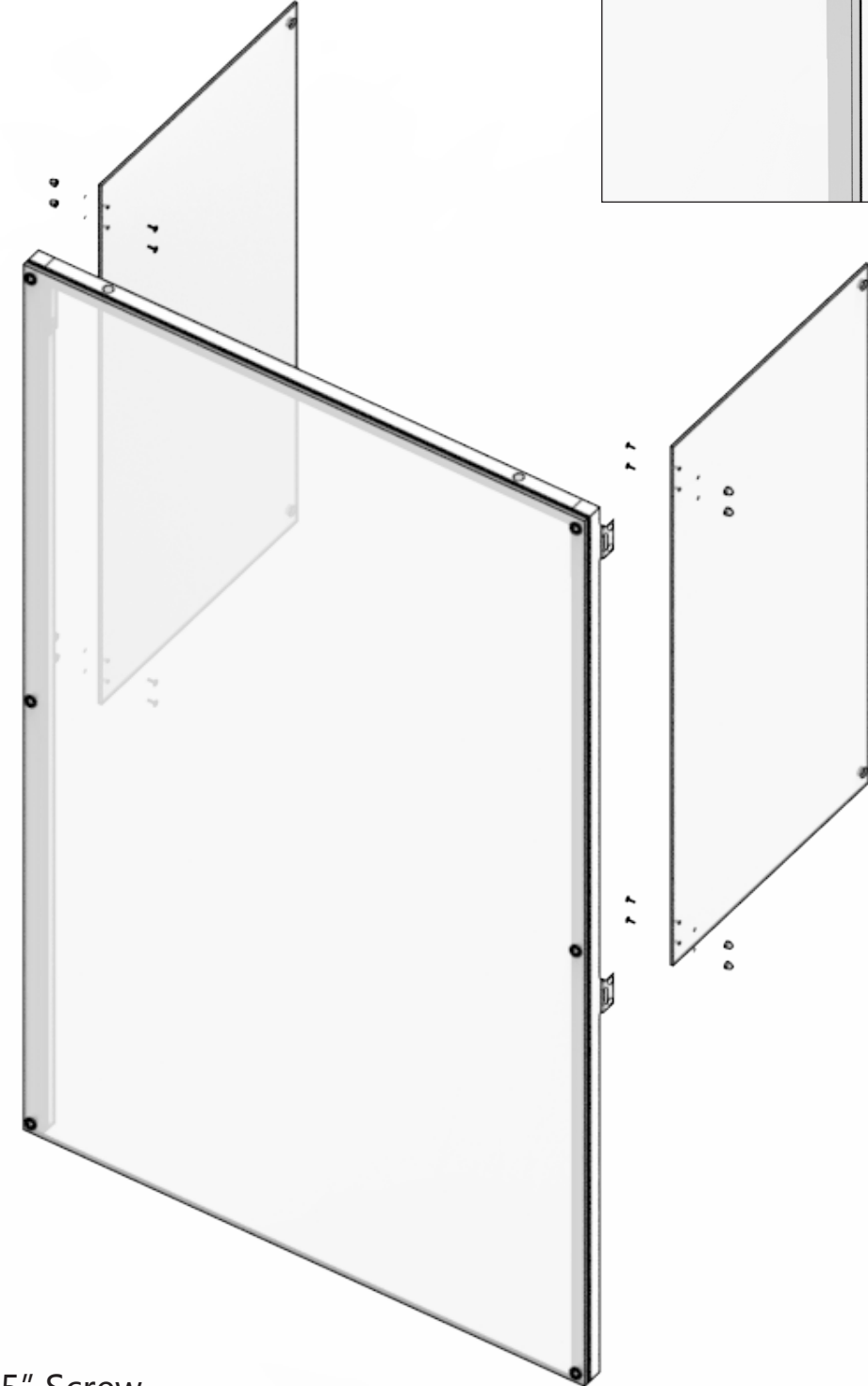
Steps To Assembling Front Part:

3.



2x #6 .5" Screw

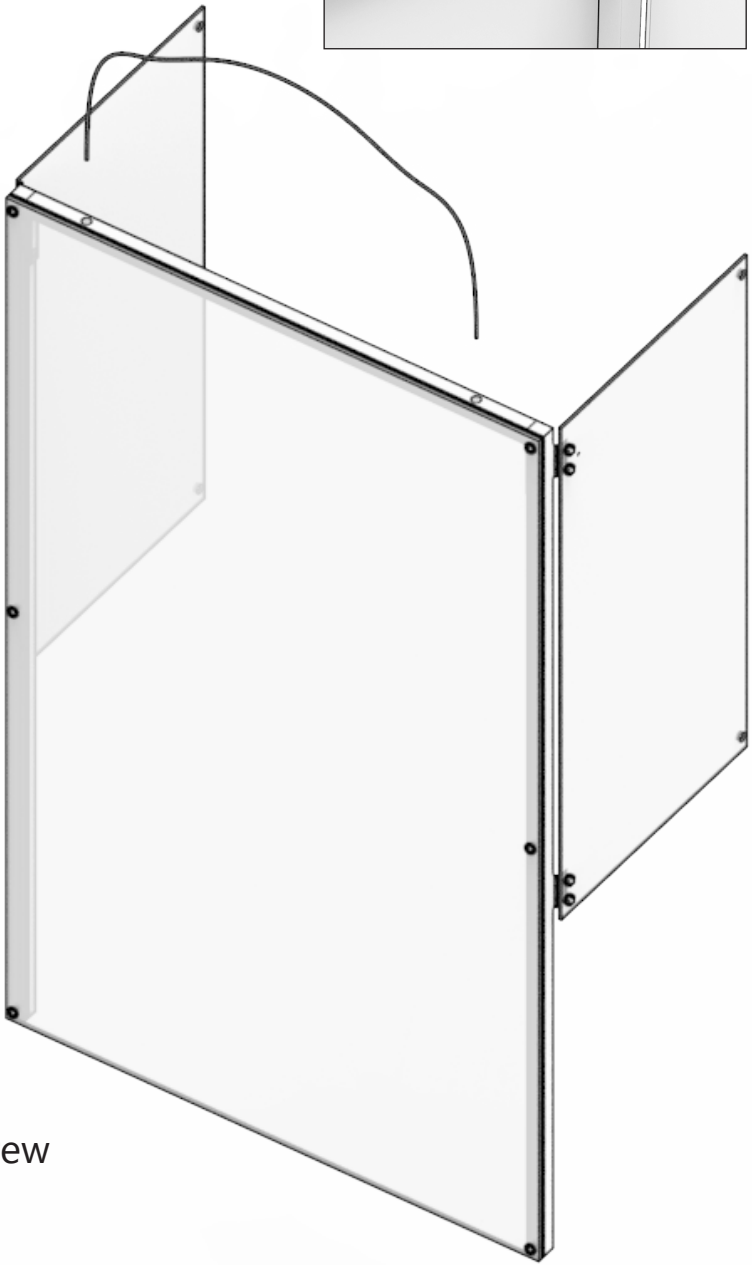
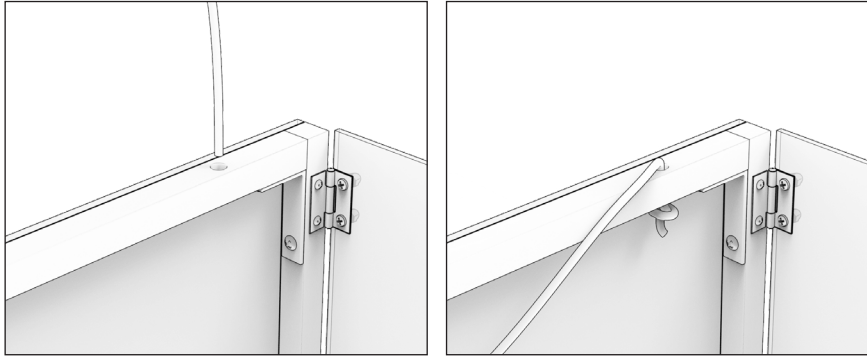
4.



2x #6 .5" Screw

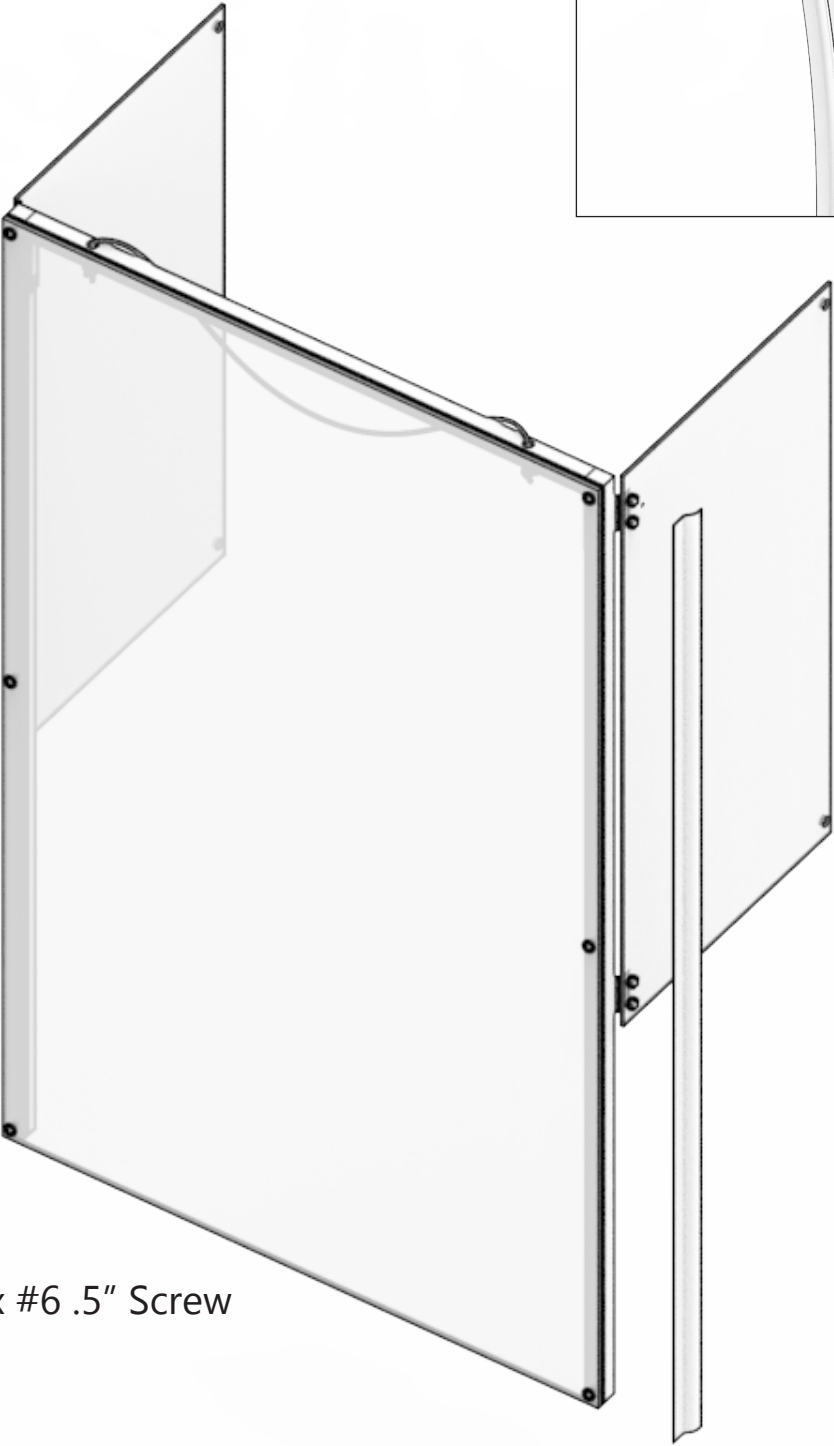
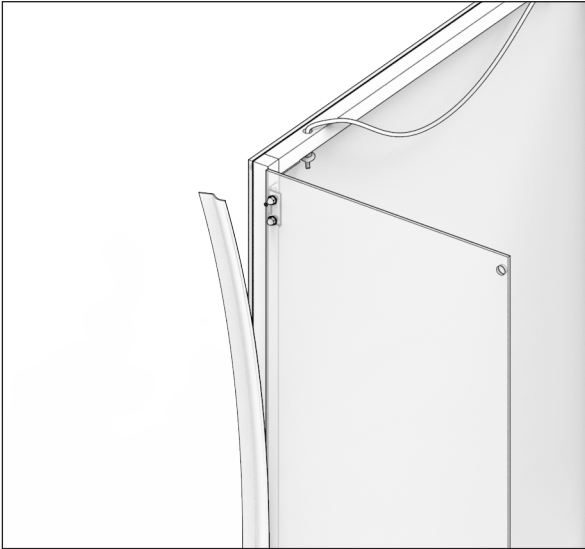
Steps To Assembling Front Part:

5.



2x #6 .5" Screw

6.



2x #6 .5" Screw

Concept 2:

Steps To Assembling Back Part:

Concept 2:

Steps To Setting up:

link to video*

Resource Page

Thank you!